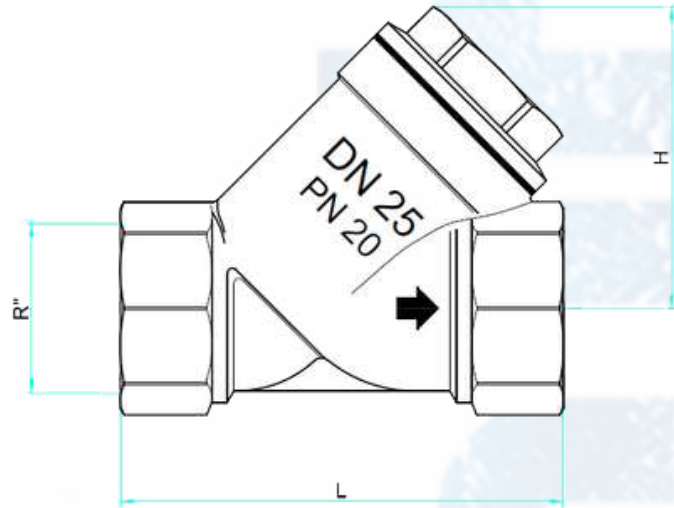


Art. RA411 BRONZO



R"	DN	L	H	μ	PN
3/8"	10	55	40	400	20
1/2"	15	58	40	400	20
3/4"	20	70	50	400	20
1"	25	87	60	400	20
1"1/4	32	96	68	500	20
1"1/2	40	106	75	500	20
2"	50	126	90	500	20
2"1/2	65	145	100	600	16
3"	80	165	118	600	16
4"	100	215	170	800	16



R"	Filtro in rete Cartridge Ø x L	Guarnizione Ø esterno Washer external Ø – internal Ø
3/8"	18 x 30	30 x 24
1/2"	18 x 30	30 x 24
3/4"	24 x 40	36 x 31
1"	30 x 43	44 x 37
1"1/4	36 x 49	50 x 42
1"1/2	42 x 53	57 x 48
2"	53 x 66	68 x 60
2"1/2	63 x 67	74 x 67
3"	74 x 77	85 x 78
4"	102 x 143	120 x 116

Materiali

CORPO

Bronzo SN 5 UNI-EN 1982 DIN 50930/6

TAPPO DI ISPEZIONE

Ottone CW617N-UNI-EN 12165

GUARNIZIONE

Fibra MECSINT

CARTUCCIA FILTRANTE 41R

Lamiera micro stirata romboidale in acciaio INOX AISI 304

3/8" => 1" 400µm

1" 1/4 => 2" 500µm

2" 1/2 => 3" 600µm

4" 800µm

FINITURA SUPERFICIALE

Sabbiata

Materials

BODY

Bronze SN 5 UNI-EN 1982 DIN 50930/6

CAP

Brass CW617N-UNI-EN 12165

BODY GASKET

Fiber MECSINT

CARTRIDGE 41R

Rhomboidal flattened stainless steel sheet AISI 304

3/8" => 1" 400µm

1" 1/4 => 2" 500µm

2" 1/2 => 3" 600µm

4" 800µm

FINISHING

Sand blast

